

Moda Spring Hinge

Material Specifications

- Diecast Zinc, Alloy ZP3
- Brass Shaft
- Nylon Inserts
- ABS Snap on Covers

Mounting

- Surface Mounted Concealed Screw Fix
- Satin Chrome Plate Only can be Concealed Bolt Through

Dimensions

- 85.5mmW x 26.6mmH x 22mmØ

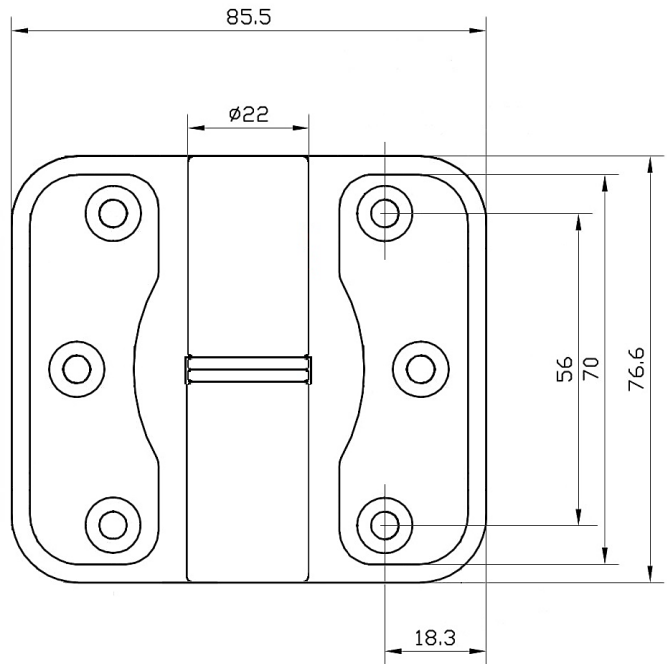
Finish

- **MODAHINGE_SCP**: Satin Chrome Plate
- **MODAHINGE_SPP**: Satin Pearl Plate
- **MODAHINGE_DESIGNER**: Designer Black
- **MODAHINGE_ANMB**: Antimicrobial Coating

Installation Guidelines

Tensioning A Moda Hinge

- For your convenience, Metlam Australia Moda Hinges come pre-tensioned to a standard use setting. We recommend against further tensioning before testing the standard tension setting after installation.
- You will need:
 - a) 2mm Allen / Hex key to release the grub screw
 - b) 6mm Allen / Hex key to re-tension the spring settings
- 1. Use the 2mm Allen / Hex key to release the grub screw at the rear of the hinge as shown below.



The photographs and line drawings of the products presented above are representational only. Metlam Australia Pty Ltd reserves the right to, and from time to time, make changes and improvements in design and dimensions.

2. Use the 6mm Allen / Hex key to adjust the bolt on the underneath side of the hinge barrel as shown below.



3. There are 6 adjustment settings available as shown below.



LEFT HAND HINGES

Hold closed increase tension:

Turn the bolt on the underneath side of the hinge barrel **anti-clockwise at ¼ turn increments**. Find the locator hole and re-tighten the grub screw while holding the hinge in place.

Hold closed decrease tension:

Turn the bolt on the underneath side of the hinge barrel **clockwise at ¼ turn increments**. Find the locator hole and re-tighten the grub screw while holding the hinge in place.

Hold open increase tension:

Turn the bolt on the underneath side of the hinge barrel **clockwise at ¼ turn increments**. Find the locator hole and re-tighten the grub screw while holding the hinge in place.

Hold open decrease tension:

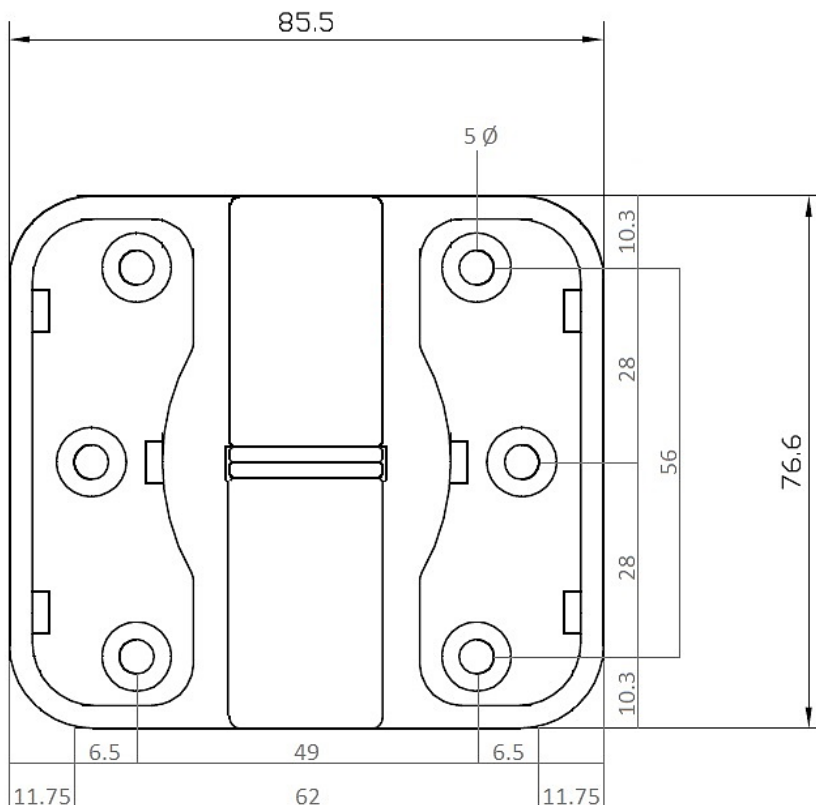
Turn the bolt on the underneath side of the hinge barrel **anti-clockwise at ¼ turn increments**. Find the locator hole and re-tighten the grub screw while holding the hinge in place.

The photographs and line drawings of the products presented above are representational only. Metlam Australia Pty Ltd reserves the right to, and from time to time, make changes and improvements in design and dimensions.

RIGHT HAND HINGES

Hold closed increase tension:	Turn the bolt on the underneath side of the hinge barrel clockwise at ¼ turn increments . Find the locator hole and re-tighten the grub screw while holding the hinge in place.
Hold closed decrease tension:	Turn the bolt on the underneath side of the hinge barrel anti-clockwise at ¼ turn increments . Find the locator hole and re-tighten the grub screw while holding the hinge in place.
Hold open increase tension:	Turn the bolt on the underneath side of the hinge barrel anti-clockwise at ¼ turn increments . Find the locator hole and re-tighten the grub screw while holding the hinge in place.
Hold open decrease tension:	Turn the bolt on the underneath side of the hinge barrel clockwise at ¼ turn increments . Find the locator hole and re-tighten the grub screw while holding the hinge in place.

Drilling Holes



Features

- Spring assisted door opening / door closing
- Fully Adjustable Spring to suit door
- Reversible Hold Open / Hold Closed
- Lift off capability

The technical recommendations contained in this document are necessarily of a general nature and should not be relied on for specific applications without first securing competent advice. Whilst Metlam Australia Pty Ltd has taken all reasonable steps to ensure the information contained herein is accurate and current, it does not warrant the accuracy or completeness of the information and does not accept liability for errors or omissions. Any Commercial product should only be installed by a competent tradesperson and serviced/maintained by knowledgeable janitorial staff or competent people. Metlam Australia accepts no responsibility for any damage to product, walls or fixtures due to incorrect installation or maintenance of any of their products.

The photographs and line drawings of the products presented above are representational only.
Metlam Australia Pty Ltd reserves the right to, and from time to time, make changes and improvements in design and dimensions.